

MD2131 Ultrasound Beamforming Transmitter Demoboard

Introduction

The MD2131 is a high speed, arbitrary waveform, push-pull source driver. It is designed for medical ultrasound imaging and HIFU beamforming applications. It also can be used in NDT, sonar and other ultrasound phase-array focusing beamforming applications.

The integrated circuit (IC) consists of the CMOS digital logic input circuits, an 8-bit current DAC for the waveform amplitude control, and four PWM current sources. These current sources are constructed with the high speed in-phase and quadrature current switch matrix and the built-in sine and cosine angle-to-vector look-up table. The angular resolution of the vector table is 7.5 degrees per step with a total range of 48 steps. There are four logic input signals to control the in-phase and quadrature PWM push-pull current source's output timing frequency cycle in the burst and waveform envelope.

The MD2131's output stage is designed to drive two depletion mode, high voltage, Supertex DN2625 MOSFETs as a source driver. The MOSFET drains are connected to a center-tapped ultrasound frequency pulse transformer. The secondary winding of the transformer can connect to the ultrasound piezo or capacitive transducer via a cable with a good impedance match. The MD2131 has a high speed serial data interface that quickly updates the data register's per-scan-line for changing the beamforming phase angles and apodization amplitudes.

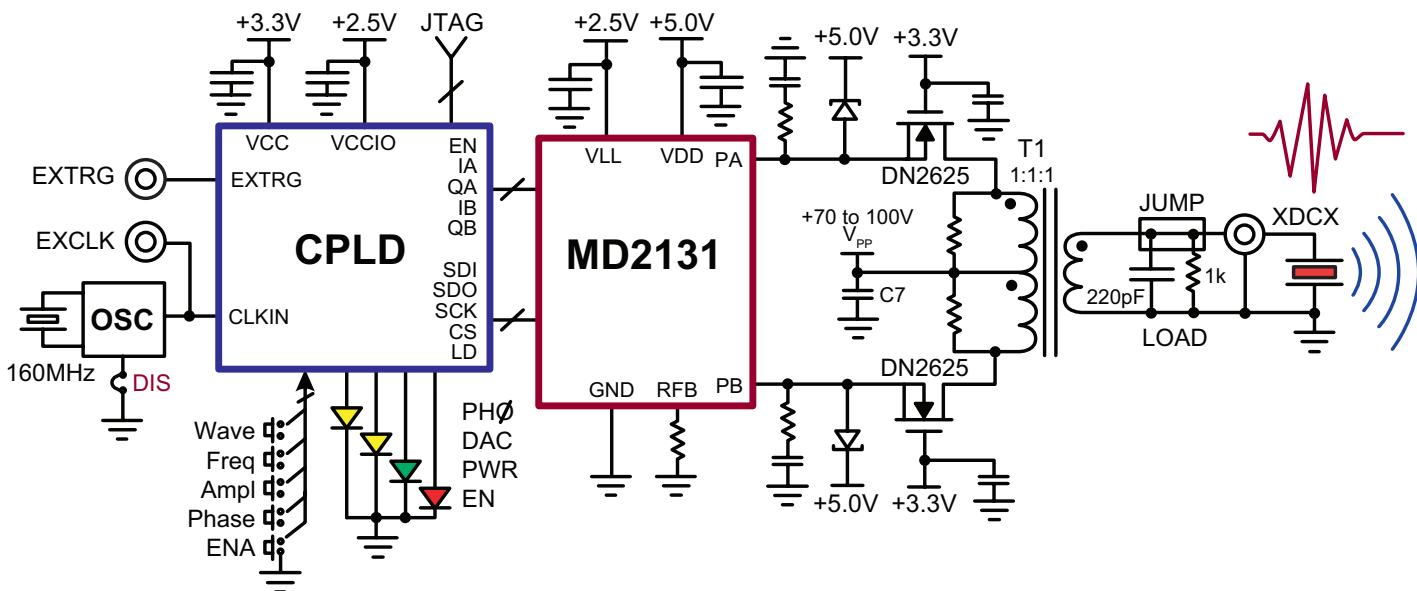
General Description

This MD2131DB1 datasheet describes how the demoboard is to be used to generate the ultrasound transmit beamforming waveform with the Gaussian profile, and the adjustable frequency, amplitude and phase angle. It also provides information about how to design a user application circuit and PCB using the Supertex MD2131 and DN2625 devices.

The MD2131DB1 circuit uses two depletion-mode MOSFETs in the push-pull mode to drive the center tapped, wide band, ultrasound output transformer. The two depletion-mode MOSFETs are packaged in a single 5x5mm DFN package. The sources of the MOSFETs are directly driven by the MD2131's two outputs, whose maximum peak sinking current is up to 3.0A. These current source outputs are controlled by the MD2131's internal angular vector switch matrix and the in-phase and quadrature PWM input signals.

All of the MD2131's logic control signals are generated by two small CPLD programmable logic circuits clocked by an on-board 160MHz crystal oscillator. The CPLD circuits not only generate accurate timing for the high speed PWM control waveforms, but also the serial data and clock to set and change the waveform amplitude DAC and phase angle data registers. The external clock input can be used if the on-board oscillator is disabled. The external trigger input can be used to synchronize the burst waveforms' launch timing. There are five push buttons for enabling and selecting the output wave-

Demoboard Block Diagram



form frequency, phase angle and amplitude. Four color LEDs indicate the power, chip enable and wave-form parameter selection states. The MD2131DB1 output waveform can be displayed by using an oscilloscope and the high impedance probe at the TP13 test point. It also can use an SMA to BNC, 50Ω, coaxial cable to directly connect to an oscilloscope, with an attenuation of 5:1 if R10 is 200Ω. A cable can also be used to directly drive the user's transducer. Jumper J4 can be used to select whether or not to connect the on-board equivalent load, which is formed by a 220pF capacitor in parallel with a 1.0kΩ resistor.

Circuit Design & PCB Layout

The thermal pad at the bottom of the MD2131 package must be connected to the VSUB pin on the PCB. The VSUB is connected to the IC's substrate. It is important to make sure that the VSUB is well grounded. A proper supply voltage power-up sequence is needed to test the circuit. To prevent any supply voltage polarity reversing, the circuit also has the protection of Schottky diodes D7, D8 and D9.

Due to the high current and high current slew rate nature of this common gate, source driven and push-pull circuit topology, the two cascading N-channel MOSFETs need to have very low lead inductance. The DN2625DK6 MOSFET is designed for this application and works seamlessly with the MD2131K7. In particular, a good PCB layout design needs to shorten the traces between the MD2131K7 output pins and DN2625DK6 source pins. It is also necessary to connect all three pairs of pins between them for the high current carrying capacity. Furthermore, because of the high di/dt in the output current of the MD2131, it is also necessary to have the Schottky diodes D5 and D6 from the driver output pins to the +5.0V power supply line as the clamping diodes. Note that the diodes must have enough speed and peak current capability. The RC snubber circuits of R8-C5 and R15-C28 at the output pins can dump the current pulse edge ringing effectively.

PCB designers need to pay attention to some of the connecting traces as high voltage and high speed traces. In particular, low capacitance to the ground plane and more trace spacing need to be applied in this situation.

High speed PCB trace design practices that are compatible with operating speed of about 100 to 200 MHz are used for the demo board PCB layout. The internal circuitry of the MD2131 can operate at quite a high frequency, with the primary speed limitation being load capacitance. Because of this high speed, and the high transient currents that result when driving even very small inductive loads, ringing and even oscillations are

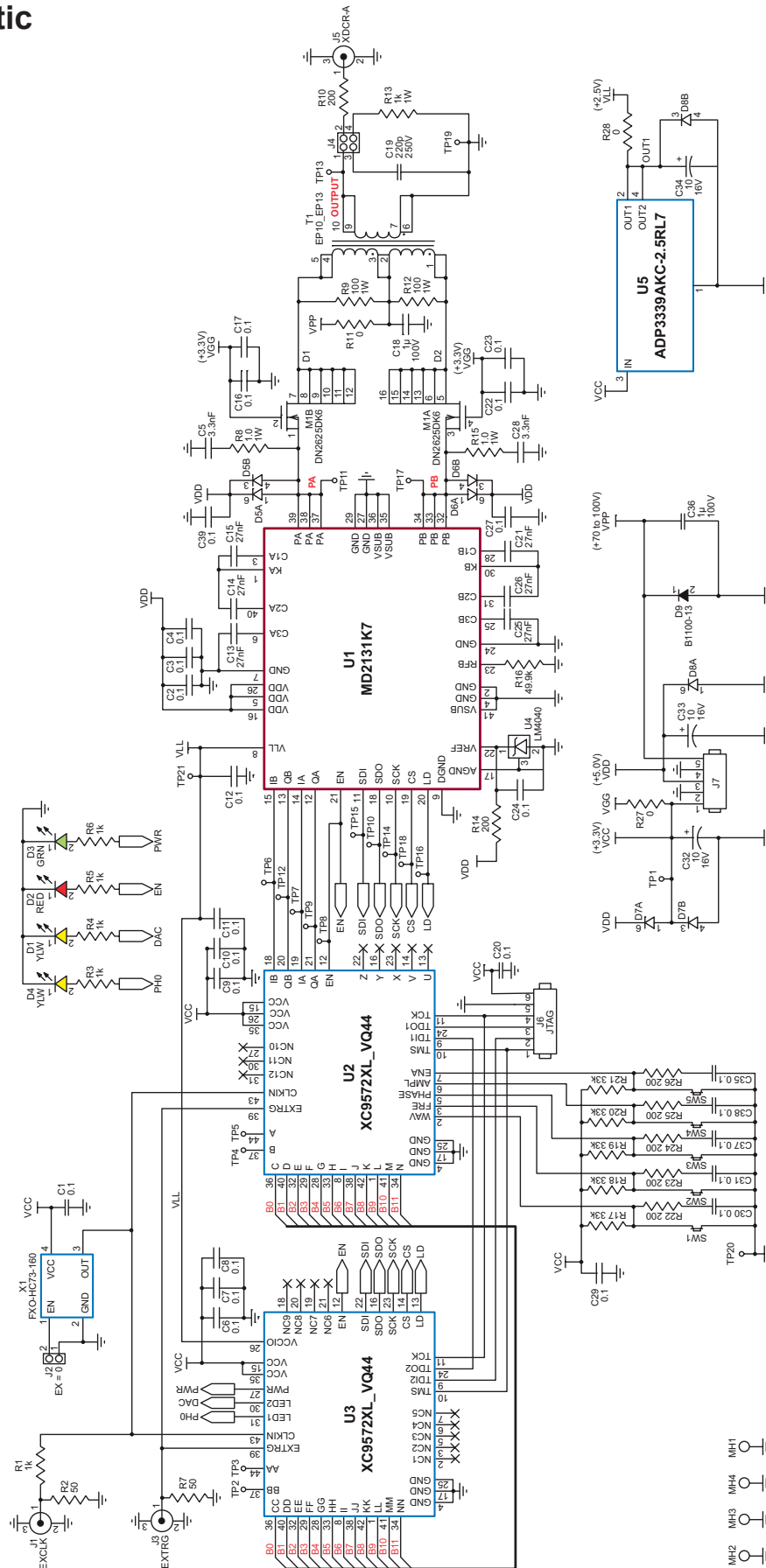
possible. The supply voltage bypass capacitors and the MOSFET gate decoupling capacitors should be as close to the pins as possible. The capacitor's ground pin pads should have low inductance feed-through connections that are connected directly to a solid ground plane. The VDD and VPP supplies can draw fast transient currents of up to 3.5A, so they should be provided with a low impedance bypass capacitor at the chip's pins. A ceramic capacitor of 0.1 to 1.0μF may be used. Minimize the trace length to the ground plane, and insert a ferrite bead in the power supply lead to the capacitor to prevent resonance in the power supply lines. For applications that are sensitive to jitter and noise and using multiple MD2131 ICs, insert another ferrite bead between VDD, and decouple each chip supply separately. Pay particular attention to minimizing trace lengths and using sufficient trace width to reduce inductance, not only on the supply pins but also on the CA/B and KA/B compensation pins. Very closely placed surface mount components are highly recommended. Be aware of the parasitic coupling from the high voltage outputs to the input signal terminals of MD2131. This feedback may cause oscillations or spurious waveform shapes on the edges of signal transitions. Since the input operates with signals down to 2.5V, even small coupling voltages may cause problems. The use of a solid ground plane and good power and signal layout practices will prevent this problem. Also ensure that the circulating ground return current from a capacitive load cannot react with common inductance to create noise voltages in the input logic circuitry.

This MD2131DB1 beamforming demoboard should be powered up with multiple DC power supplies with current limiting functions. The power supply voltages and current limits used in the testing are listed on page 11. There are examples of the MD2131DB1 demoboard input and output waveform and measurements shown in Figures 1 to 9.

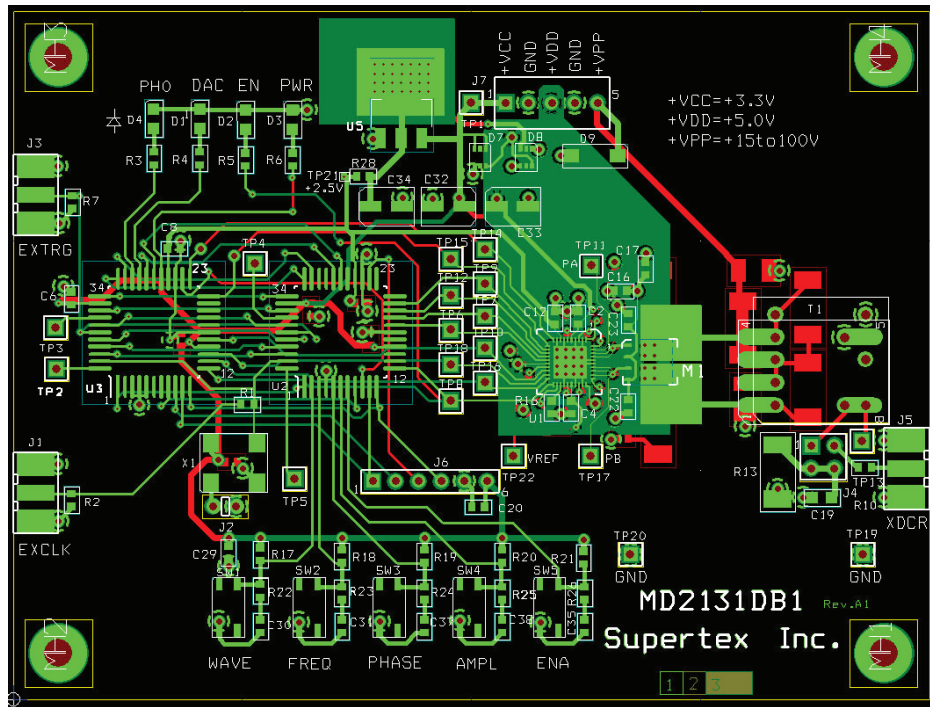
Output Transformer Design

A center tapped wide band ultrasound transformer is needed for the push pull output circuit. The transformer serves at least three functions: the balanced differential to single end RF output transformer; the isolation barrier to the ultrasound probe; and the impedance matching or low pass net work combined with the cable and transducer element. The MD2131 PWM clock may operate at a 40 to 160MHz frequency range, however the wide band transformer only needs to work in the frequency band of the ultrasound being transmitted. Beside the bandwidth consideration, the transformer also needs enough peak current capacity and RF power coupling efficiency to make sure the ferrite magnetic core will not be saturated, have little leakage inductance and will be a small size.

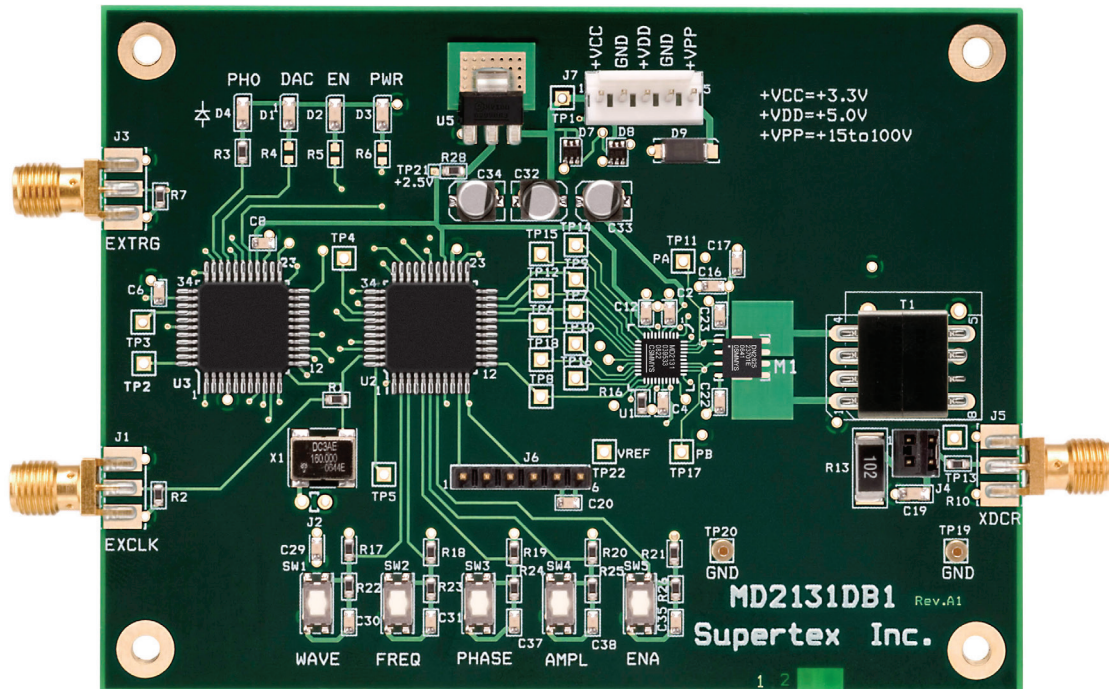
Circuit Schematic



PCB Layout



MD2131DB1



Actual Dimensions: 10.2cm x 7.6cm (4.00" x 3.00")

MD2131DB1 Input and Output Waveforms

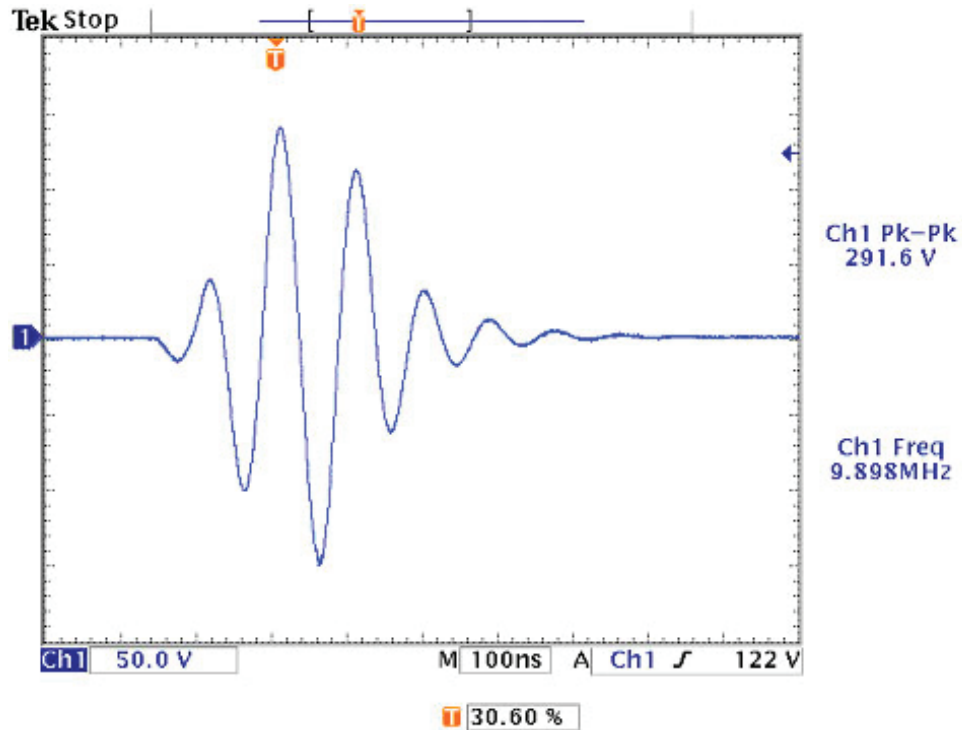


Figure 1:
The output waveforms of 16-sample/cycle at 10MHz, 135deg, DAC = 255, $V_{pp} = 100V$, 220pF//1kΩ load.

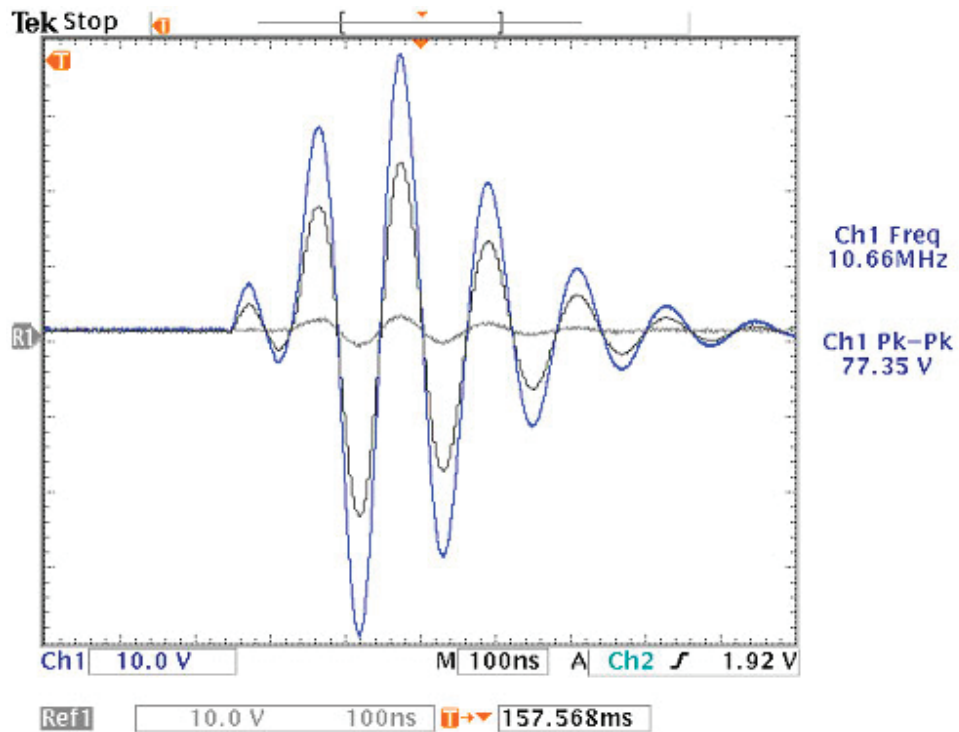


Figure 2:
The output waveforms of 8-sample/cycle at 10MHz, 45deg, DAC Range = 4 - 68, $V_{pp} = 100V$, 220pF//1kΩ load.

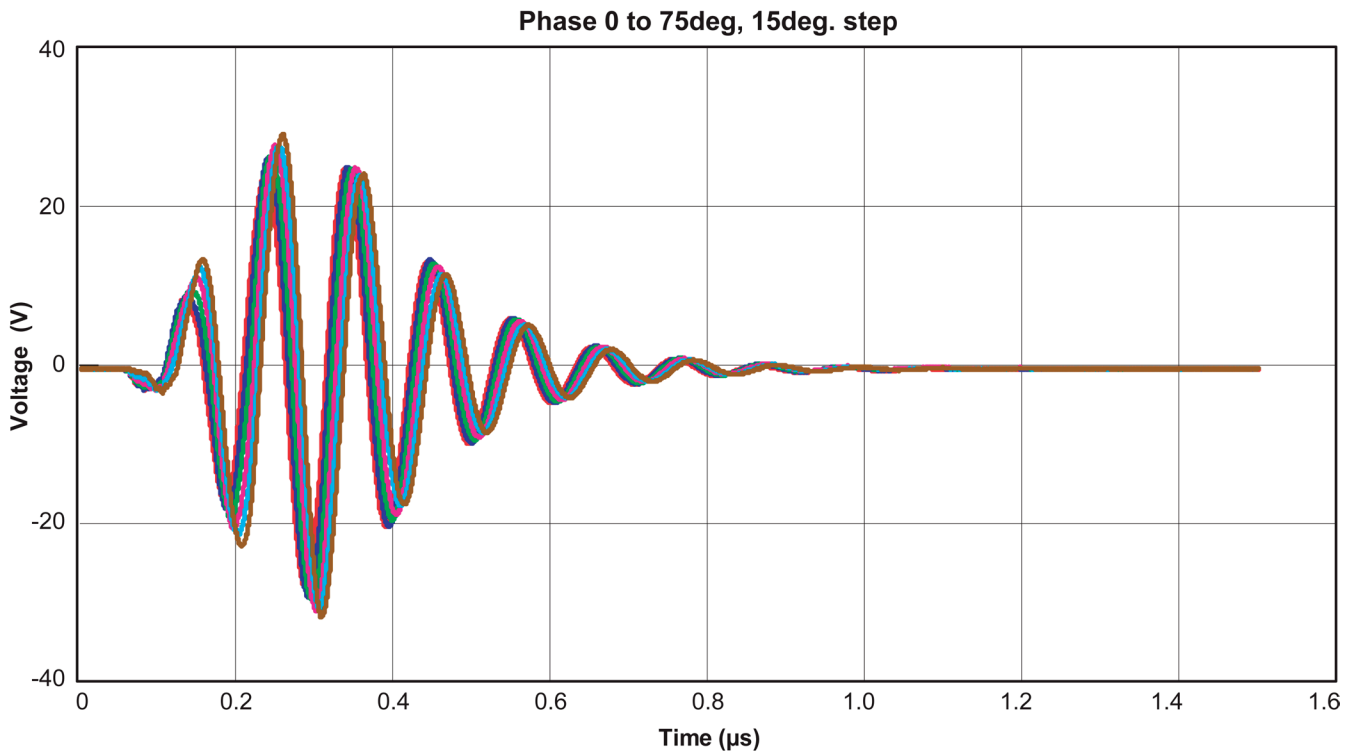


Figure 3:
The output waveforms of phase angle 0, 15, 30 ... 75 deg.

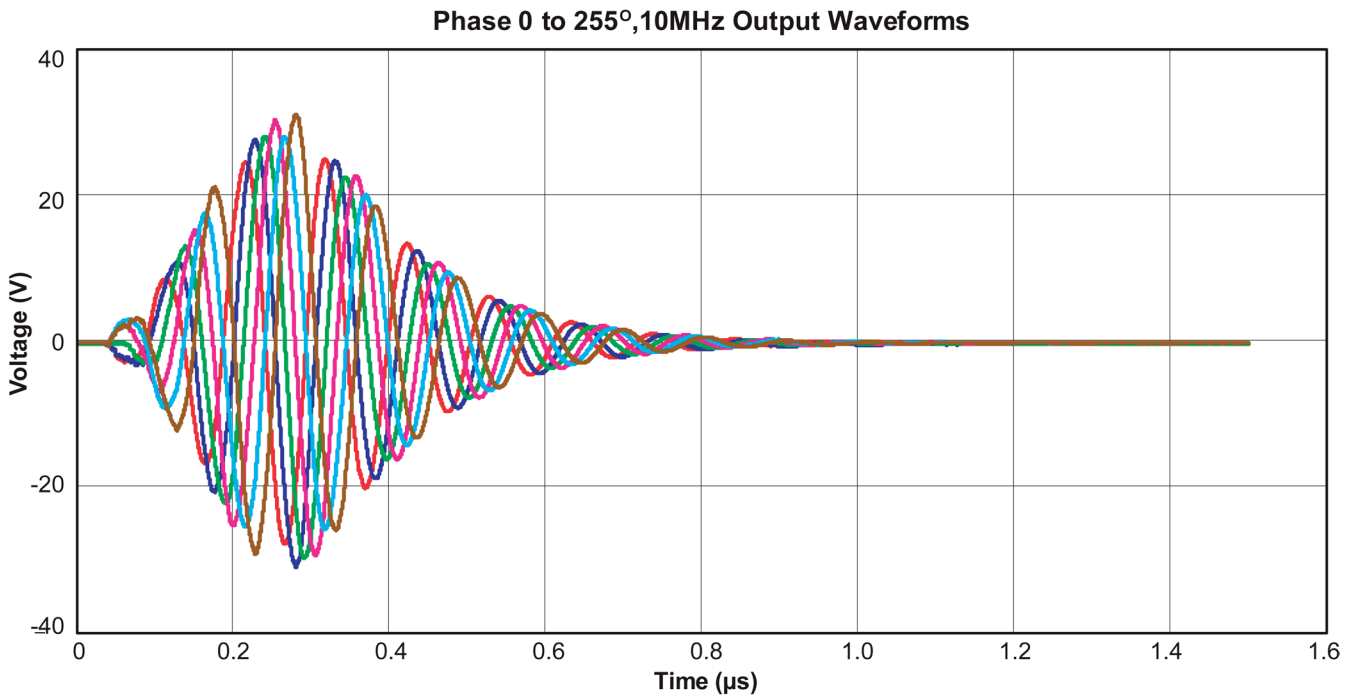


Figure 4:
The output waveforms of phase angle 0, 45, 90... 255 deg.

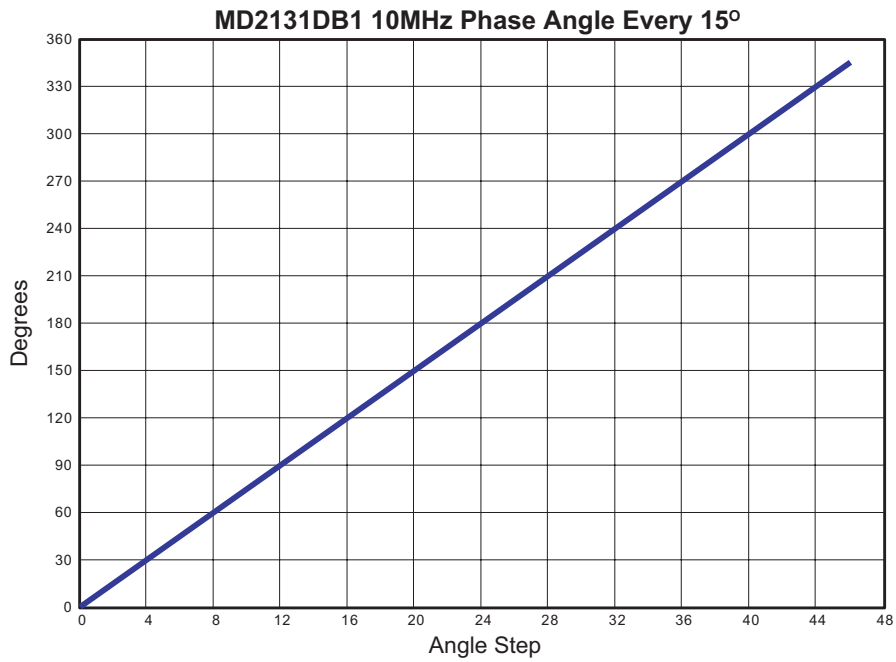


Figure 5:

The phase angle measurements of 10MHz, 15deg/step from 24 traces of 10,000 data points FFT. The maximum MD2131 phase angular resolution is 7.5deg.

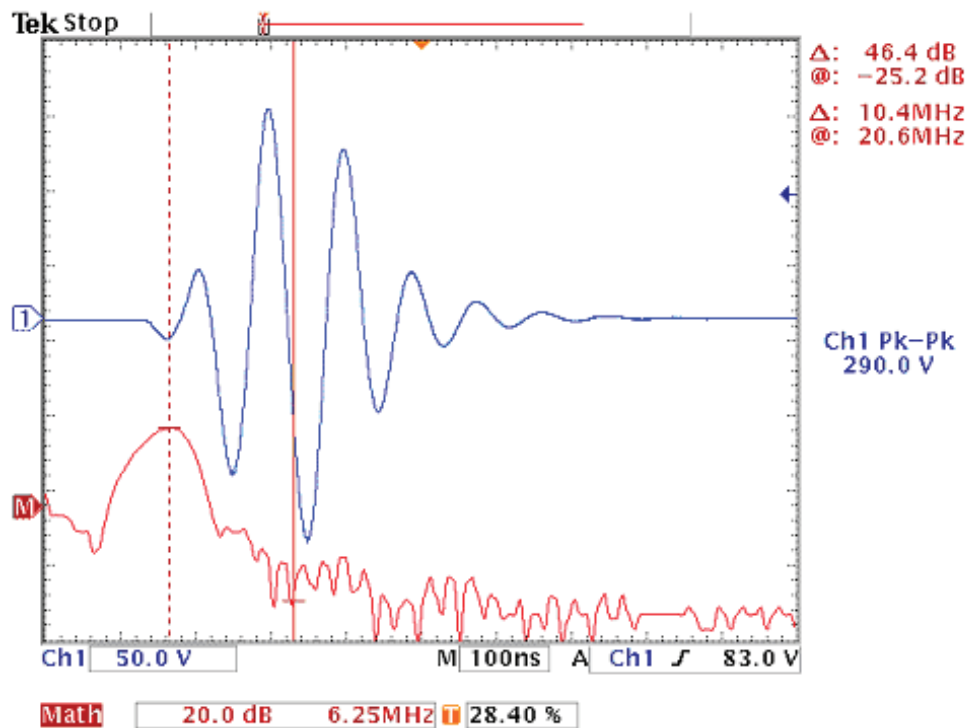


Figure 6:

The 10MHz 16 sample/cycle output waveform and FFT (Math) results at 10MHz and harmonics, 220pF//1.0kΩ load.

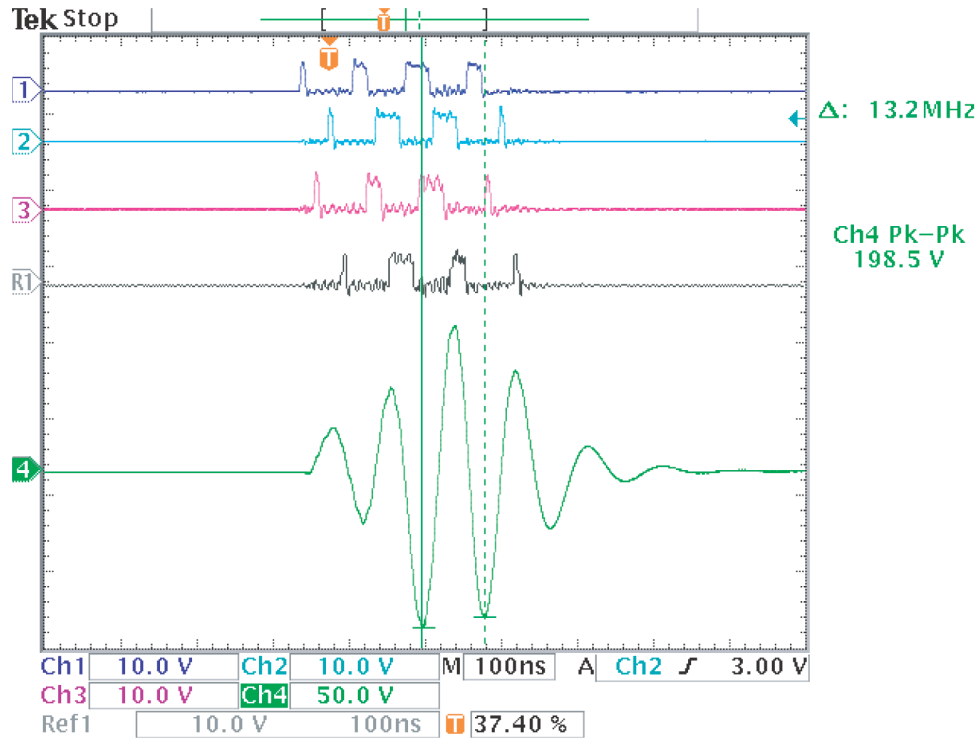


Figure 7:

Input IA, IB, QA, QB and load waveform of RF 13.3MHz, 12-sample/cycle, 160MHz PWM.

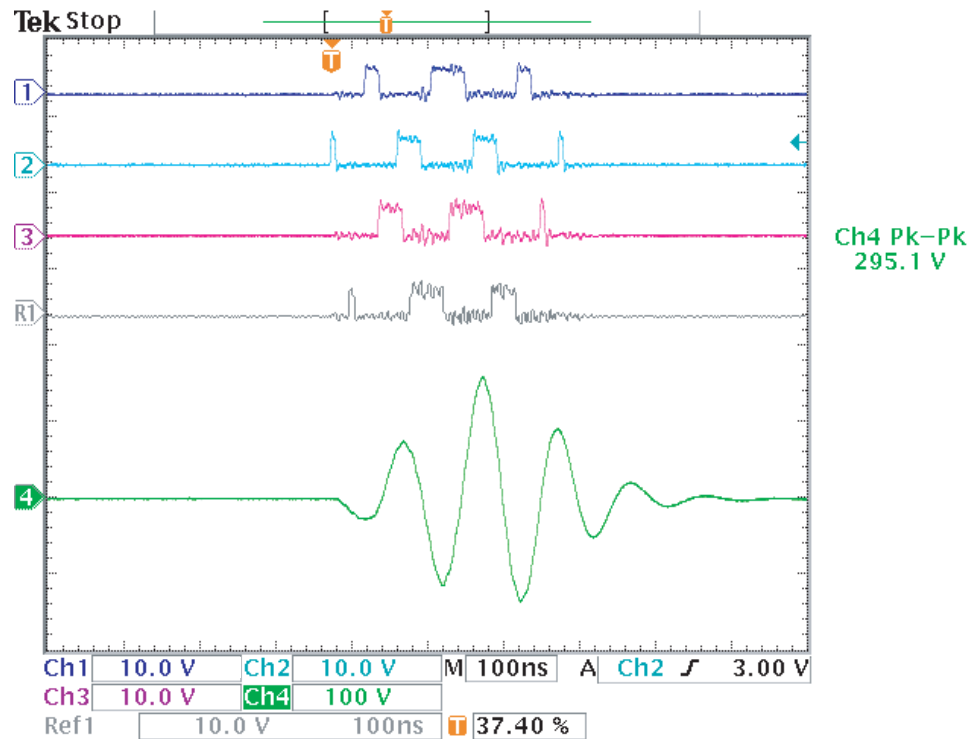


Figure 8:

Input IA, IB, QA, QB and load waveform of RF 10MHz, 16-sample/cycle, 160MHz PWM.

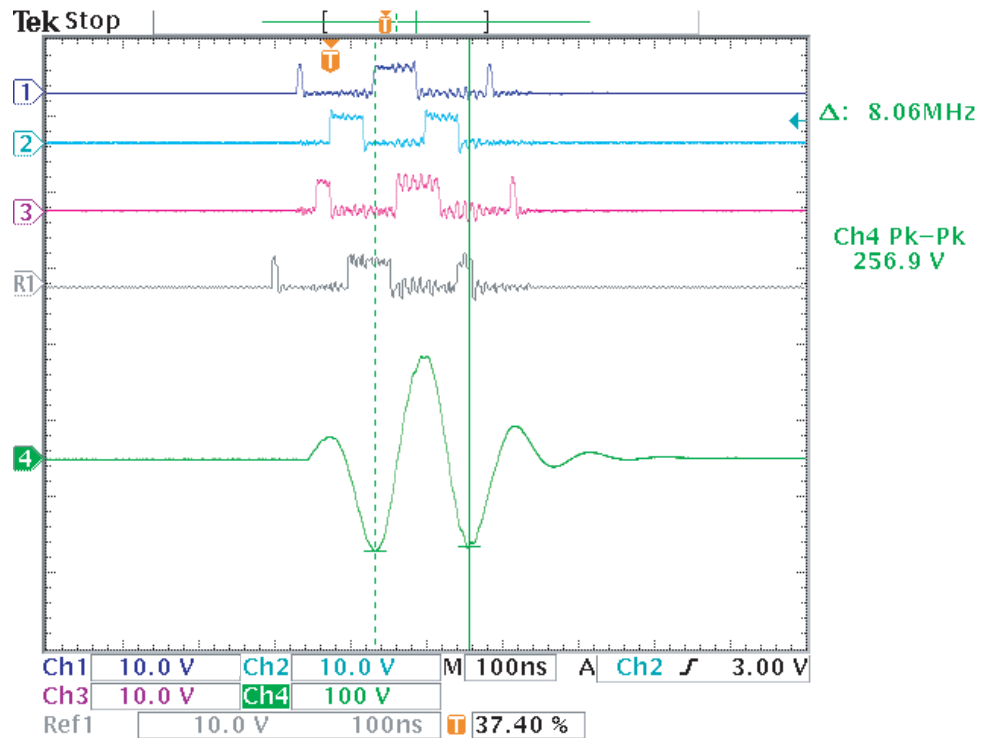


Figure 9:
 Input IA, IB, QA, QB and load waveform of RF 8.0MHz, 20-sample/cycle, 160MHz PWM..

Output Waveform Frequency Selection Table

Output Frequency	Samples / Cycle of Ultrasound Output Waveform			Note:
	12 s/c	16 s/c	20 s/c	
Frequency	13.3MHz	10.0MHz	8.0MHz	$f_{CLKIN} = 160MHz$

Output Waveform Phase Angle Selection Table

Phase Angle Steps (PHASE Button)					Note
0	1 24 47	48			
0 (power on, LED1 on)	7.5	180	352.5	360	Output Phase Angle Degree

Output Waveform Amplitude Selection Table

Amplitude Steps (AMPL Button)					Note
0	1 8 15	16			
0	16	128 (power on, LED2 on)	240	255	DAC Register Value

Board Connector and Test Pin Description

CPLD Pin #	Signal Name	Description
U2, 3 - 15, 26, 35	VCC	CPLD logic power supply +3.3V
U2, 3 - 26	VLL	CPLD, VCCIO and MD2131 logic power supply +2.5V
U2, 3 - 4, 17, 25	GND	Logic power ground 0V
U2 - 2	WAV	Run or stop demo waveform phase
U2 - 3	FRE	Selecting frequency: 8,10 and 13.3MHz
U2 - 5	PHASE	Single step phase change, angle stepping:0, 7.5, 15...360
U2 - 6	AMPL	Single step amplitude change, DAC stepping: 15, 31...255
U2 - 7	ENA	Control MD2131 EN pin
U2 - 18	IA	Output signal to MD2131 IA
U2 - 19	IB	Output signal to MD2131 IB
U2 - 20	QA	Output signal to MD2131 QA
U2 - 21	QB	Output signal to MD2131 QB
U3 - 31	LED1	Output signal yellow, PH0 LED is on when phase = 0
U3 - 30	LED2	Output signal yellow, DAC LED is on when DAC = 127
U3 - 27	PWR	Output signal LED green, indicates +3.3V power supply on
U2, 3 - 10	TMS	Test mode select of JTAG
U2, 3 - 9	TDI	Test data in of JTAG, two CPLD in daisy chain
U2, 3 - 24	TDO	Test data out of JTAG, two CPLD in daisy chain
U2, 3 - 11	TCK	Test clock of JTAG
U2, 3 - 43	CLK	CPLD clock input
U2, 3 - 39	EXTRG	External trigger signal input to control waveform timing
U2, 3 - 12	EN	Output signal LED red, indicates MD2131 is enabled
U3 - 22	SDI	Output signal to MD2131 SDI
U3 - 16	SDO	Input signal from MD2131 SDO
U3 - 23	SCK	Output signal to MD2131 SCK
U3 - 14	CS	Output signal to MD2131 CS
U3 - 13	LD	Output signal to MD2131 LD
All remaining pins		NC or Reserved

CPLD Programming Connector

JTAG Pin #	Signal Name	Description
J6 - 1	TMS	Test mode select of CPLD
J6 - 2	TDI	Test data In of CPLD
J6 - 3	TDO	Test data out of CPLD
J6 - 4	TCK	Test clock of CPLD
J6 - 5	GND	Logic power supply ground 0V for programming only
J6 - 6	V _{CC}	Logic power supply +3.3V for programming only

Test Signal Connector

SMA & Jumper	Signal Name	Description
J1	EXCLK	External clock input when on-board oscillator is disabled, or output the clock when it is enabled
J2	OSC_EN	Jumper for on-board oscillator, short = disable, open = enabled
J3	EXTRG	External trigger signal input, 0V to 3.3V square wave, 10KHz to 40KHz only
J4	Load JP	Jumper for on-board RC load to MD2131DB1 high voltage output and XDCR connector
J5	XDCR	MD2131DB1 waveform output, for SMA-cable to oscilloscope, high voltage! 0 to +/-350Vp-p max

Power Supply Connector

Power Supply Pin #	Signal Name	Description
J7 - 1	V _{CC}	+3.3V, CPLD control logic supply voltage with current limit to 250mA
J7 - 2	GND	Ground reference, 0V
J7 - 3	V _{DD}	+5.0V MD2131 positive supply voltages with current limit to 50mA
J7 - 4	GND	Ground reference, 0V
J7 - 5	V _{PP}	+70 to 100V, the high voltage supply with current limit to 30mA

Voltage Supply Power-Up Sequence

Step	Signal Name	Description
1	V _{DD}	+5.0, MD2131 positive supply voltages
2	V _{CC}	+3.3V, MOSFET gate biasing and CPLD control logic supply voltage
3	V _{PP}	+70V to 100V, the high voltage supply
4	EN Logic Active	Enable logic control, active-high signal to MD2131

Power-Down

1	EN Logic Active	Disable logic control, active-high signal to MD2131
2	V _{PP}	+70V to 100V, the high voltage supply, off
3	V _{DD}	+5.0V, MD2131 positive supply voltages with all input signals LOW, off
4	V _{CC}	+3.3, CPLD control logic supply voltage with EN = 0, off

MD2131DB1 Bill of Materials

Reference	Description	Manufacturer's Part Number	Manufacturer
C1 - C12	Capacitor, 0.1 μ F, 25V, ceramic, X7R, 0603	ECJ-1VB1E104K	Panasonic
C13, C14, C15	Capacitor, 0.027 μ F 50V ceramic, X7R 0603	ECJ-1VB1H273K	Panasonic
C18, C36	Capacitor, ceramic, 1.0 μ F 100V X7R 20% 1210	C3225X7R2A105M	TDK
C19	Capacitor, ceramic, 220pF 200V NP0 0805	ECJ-2YC2D221J	Panasonic
C32, C33, C34	Capacitor, 10 μ F 16V ELECT WT SMD	UWT1C100MCL1GB	Nichicon
C5, C28	Capacitor, ceramic, 3300pF, 10%, 100V, X7R, 0603	06031C332KAT2A	AVX
D1, D4	LED: yellow, diff, 0805, SMD	SML-LXT0805YW-TR	Lumex
D2	LED: red, diff, 0805, SMD	SML-LXT0805IW-TR	Lumex
D3	LED: green, diff, 0805, SMD	SML-LXT0805GW-TR	Lumex
D9	Diode Schottky, 100V, 1.0A, SMA	B1100-13	Diodes Inc.
D5 - D8	Diode Schottky, dual, 30V, SOT-363	BAT54DW-7	Diodes Inc.
M1	Dual depletion 250V 3.0A N-MOSFET, 5x5mm, 8-Lead DFN package	DN2625DK6-G	Supertex Inc.
R1	RES 1.00k Ω 1/16W 1% 0603 SMD	ERJ-3EKF1001V	Panasonic
R2, R7,	RES 49.9 Ω 1/16W 1% 0603 SMD	ERJ-3EKF49R9V	Panasonic
R3 - R6, R10, R14, R22 - R26	RES 200 Ω 1/16W 1% 0603 SMD	ERJ-3EKF2000V	Panasonic
R8, R15	RES 1.0 Ω 1W 1% 2512 SMD	ERJ-1TRQF1R0U	Panasonic
R9, R12	RES 100 Ω 1W 1% 2512 SMD	ERJ-1TNF1000U	Panasonic
R11, R27	PCB copper short	NA	NA
R13	RES 1k Ω 1W 1% 2512 SMD	ERJ-1TYF102U	Panasonic
R16	RES 49.9k Ω 1/16W 1% 0603 SMD	ERJ-3EKF4992V	Panasonic
R17, R18, R19, R20, R21	RES 33.2k Ω 1/16W 1% 0603 SMD	ERJ-3EKF3322V	Panasonic
R28	PCB copper short	NA	NA
T1	LW = 22 μ H, 1:1:1 wideband ultrasound pulse transformer	750340727	Würth Electronics
U1	IC ultrasound beamforming source driver 5x5mm 40-Lead QFN package	MD2131K7-G	Supertex Inc.
U2, U3	IC CPLD, 72 MCELL, C-Temp, 44-VQFP	XC9572XL-5VQ44C	Xilinx
U4	IC precision reference micropower ref, SOT-23	LM4040DEM3-2.5	National
U5	IC voltage regulator, 1.5A, 2.5V, SOT-223	ADP3339AKC-2.5	ADI
X1	Oscillator clock, 160.000MHZ, 3.3V, SMD	JITO-2-DC3AE-160	FOX Electronics

Supertex inc. does not recommend the use of its products in life support applications, and will not knowingly sell them for use in such applications unless it receives an adequate "product liability indemnification insurance agreement." **Supertex inc.** does not assume responsibility for use of devices described, and limits its liability to the replacement of the devices determined defective due to workmanship. No responsibility is assumed for possible omissions and inaccuracies. Circuitry and specifications are subject to change without notice. For the latest product specifications refer to the **Supertex inc.** (website: <http://www.supertex.com>)

Mouser Electronics

Authorized Distributor

Click to View Pricing, Inventory, Delivery & Lifecycle Information:

[Microchip:](#)

[MD2131DB1](#)